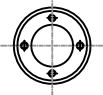
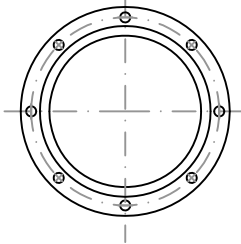


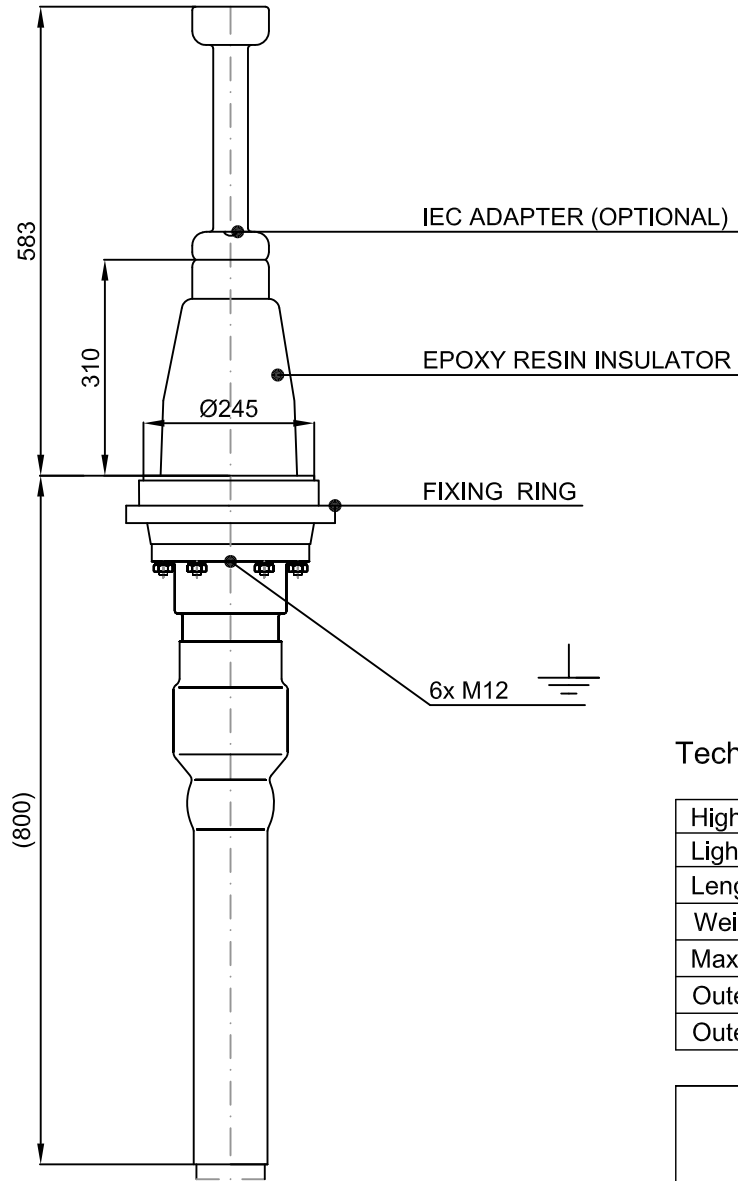
THIS INFORMATION IS CONFIDENTIAL AND PROPRIETARY TO TYCO ELECTRONICS CORPORATION AND ITS WORLDWIDE SUBSIDIARIES AND AFFILIATES (TE). IT MAY NOT BE DISCLOSED TO ANYONE, OTHER THAN TE PERSONNEL, WITHOUT AUTHORIZATION FROM TE (www.TE.com).



4X M10X25  
BORES ON  $\varnothing 80 \pm 0.3$   
CONNECTION INTERFACE  
ACC. TO IEC 62271-209



8X  $\varnothing 12$  BORES  
ON  $\varnothing 270 \pm 0.5$   
BASE FLANGE ACC.  
TO IEC 62271-209  
(IEC 60859)



### Technical Data

Highest Voltage Um	kV	72,5
Lightning Impulse Voltage	kV	325
Length (with ICE Adapter)	mm	310 (583)
Weight approx. (with ICE Adapter)	kg	15 (18)
Max. Conductor Size Cu/Al approx.	mm <sup>2</sup>	2000
Outer Diameter Cable Insulation	mm	34-78
Outer Diameter Cable Oversheath	mm	≤120

SWITCHGEAR TERMINATION

72 KV DRY TYPE  
FOR XLPE - CABLE

PHVS-72  
OFFER DRAWING

**TE** TE Connectivity

TYCO ELECTRONICS RAYCHEM GMBH  
OTTOBRUNN GERMANY

TYCO DRAWING NO.:  
EPD-204-1272-00-A4-0

SHEET  
1 OF 1  
REV  
0